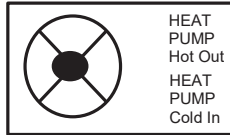


How to Water circuit installation

GS4-45HPC & GS4-45HPC-D HEAT PUMP



Notes :

GS4 Heat Pump Isolation Valves shown in typical positions adjacent to the GS4 unit
 Union type connections and Isolation valves recommended for ease of installation and service

Condensate drain line from base of Heat Pump not shown, pipe to drain or other location in accordance with local codes

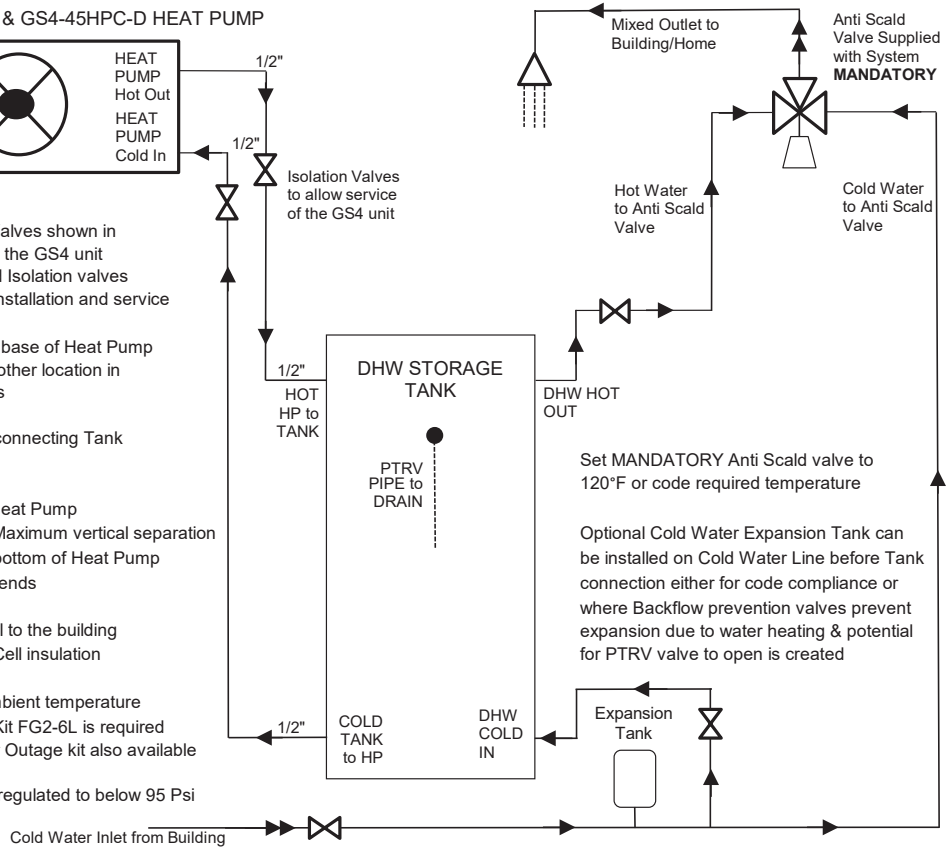
Tank Temperature sensor connecting Tank to Heat Pump not shown

Piping between Tank and Heat Pump
 66ft Maximum length, 23ft Maximum vertical separation
 To/from bottom of Tank to bottom of Heat Pump
 No more than 6 x Elbows/Bends

Insulate ALL piping external to the building with minimum 3/4" Closed Cell insulation

Check coldest expected ambient temperature to determine if Trace Heat Kit FG2-6L is required
 ECO-FPVKT-SMTW Power Outage kit also available

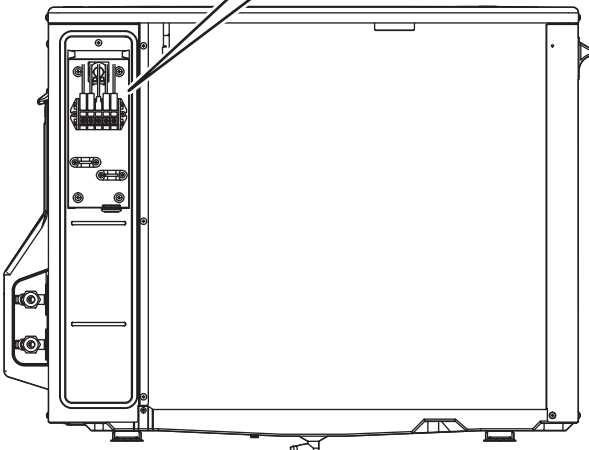
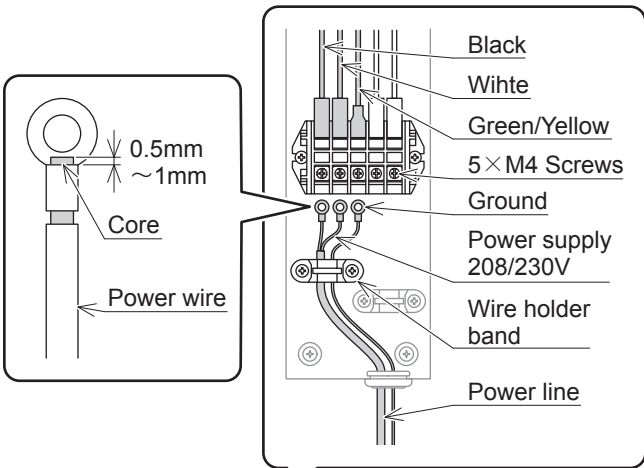
Cold Water Inlet should be regulated to below 95 Psi



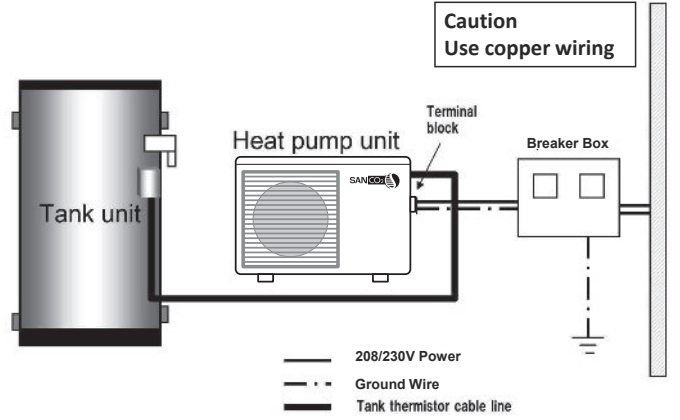
Set MANDATORY Anti Scald valve to 120°F or code required temperature

Optional Cold Water Expansion Tank can be installed on Cold Water Line before Tank connection either for code compliance or where Backflow prevention valves prevent expansion due to water heating & potential for PTRV valve to open is created

Electrical wire connection



Power connection



Frozen protection

