



SUBMITTAL : SAN-119GLBK

119 Gallon Storage Tank



Job Name	Location
Purchaser	Engineer
Submitted to	Reference <input type="checkbox"/> Approval <input type="checkbox"/> Construction <input type="checkbox"/>
Unit Designation	Schedule #

Specifications	SAN-119GLBK
Performance	
Uniform Energy Factor	3.72
Uniform First Hour Rating	134 Gallons
Rated capacity of Tank	75,500 Btu/h

Storage Tank	
Nominal Volume	119 Gallons
Pressure Relief Valve (Psig & °F)	150 Psig & 210°F
Temperature Sensor	Thermistor
Tank Weight (lbs)	345lbs
Standby Loss in 67°F Ambient	107 Btu/h

Tank Connection Sizes	
Cold Water Inlet	1 1/2" NPT
Hot Water Outlet	1 1/2" NPT
Cold Water to Heat Pump	3/4" NPT
Hot Water Return from HP	3/4" NPT
Press Relief Valve	3/4"

Pipe Size - Tank to Heat Pump	
Size	1/2" & 1/2"
Max Pipe Length inc	66ft
Max Vertical Separation of	23ft

Certifications	
Safety	ETL & ETLc
Performance	Energy Star

Tank Warranty	
Tank	10 Years Limited Lifetime

Construction

The tank shall be manufactured from mild steel with a baked on Cobalt enriched porcelain glass lining
Tank outer shell shall be steel with a baked on powder coating for protection

Insulation

A minimum of 1 7/8" insulation shall be sprayed on to the tank to reduce heat loss
Insulation shall not contribute to global warming

Connections

Connections to the Hot and Cold building supplies shall be 1 1/2" NPT Female type
Connections to the Hot and Cold piping to the Heat Pump shall be 3/4" NPT Female type
Cold Water Piping from Storage Tank to Heat Pump and return of Hot Water piping from Heat Pump to Tank shall be 1/2" Copper or PEX.
Reducing nipples shall be field supplied and installed

Controls

The tank shall be supplied with a Temperature sensor installed in a sensor well to control the GS4-45HPC & -D and the GS5-45HPC & -D Heat Pumps
Additional Heat Pump units connected to a tank shall require an individual Temperature sensor
Additional Tank Water sensors shall be field installed
Control wiring between Tank and GS Heat Pumps that shall require a 18-2AWG shielded wire between the Tank and GS Heat Pumps

Pressure and Temperature Relief

Tank shall be supplied with a factory installed ASME certified Pressure and Temperature Relief valve
Settings shall be at 150 Psig for Pressure and 210°F for Temperature

Mixing Valve

A factory supplied, but field installed Mixing or Anti Scald valve shall be supplied with the Tank
Valve connections shall be 3/4" Female NPT
Valve shall be field set to ensure maximum delivered water temperature shall be below 120°F to prevent scalding



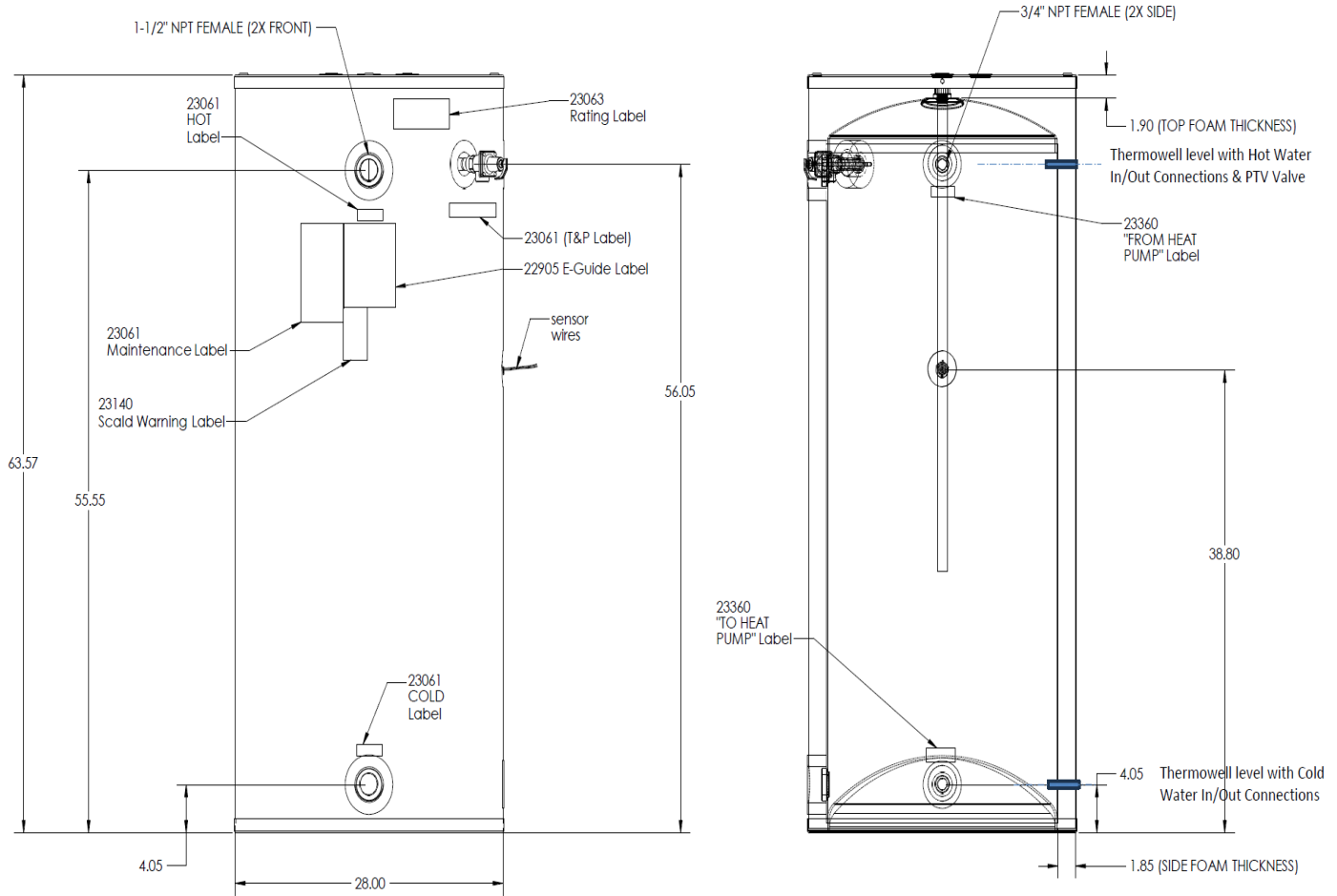
SUBMITTAL : SAN-119GLBK

119 Gallon Storage Tank



Job Name	Location			
Purchaser	Engineer			
Submitted to	Reference <input type="checkbox"/>	Approval <input type="checkbox"/>	Construction <input type="checkbox"/>	
Unit Designation	Schedule #			

SAN-119GLBK Dimensions



Eco2 Systems LLC

PO Box 1358, Walled Lake MI 48390, Tel : 1-844 SAND CO2 (1-844 726 3262)

www.eco2waterheater.com

Due to Eco2 Systems LLC's policy of on-going product development specifications are subject to change without notice

SUB-ECO2-SAN119-072024

© 2024 Eco2 Systems LLC