



SUBMITTAL : ECO-360GLNSM 360 Gallon Storage Tank



Job Name	Location			
Purchaser	Engineer			
Submitted to	Reference <input type="checkbox"/>	Approval <input type="checkbox"/>	Construction <input type="checkbox"/>	
Unit Designation	Schedule #			

Specifications	GS5-45HPC & -D
	GS5-45HPC & -D
Performance	
Capacity per Heat Pump	4.5kw or 15,400 Btu/h
Recovery per HP @ 90°F Rise	20.5 Gallons per Hour
Storage Tank	ECO-360GLNSM
Tank Volume Actual/Nominal	360 / 397 Gallons
Pressure Relief Valve (Psig & °F)	125 Psig
Temperature Sensor	Thermistor
Empty Tank Weight (lbs)	912lbs
Shipping Tank Weight (lbs)	1,020lbs
Anodes	3 x Magnesium
Tank Insulation Depth	2 1/4" to 2 1/2" Thick
Tank Insulation R value	R16

Tank Connection Sizes	
Cold Water Inlet	3" NPT
Hot Water Outlet	3" NPT
Cold Water to Heat Pump	1 1/2" NPT
Hot Water Return from HP	1 1/2" NPT
Pipe Size - Tank to Heat Pump	
Cold Water pipe - Tank to HP	As designed
Hot Water pipe - HP to Tank	As designed
Max Pipe Length inc	66ft
Max Vertical Separation of	23ft
Approvals	
Tank	ASME
Warranty	
Tank	5 Years

Construction

The tank shall be manufactured from carbon steel with a baked on Ultonium porcelain enamel lining
Tank outer shell shall be covered with a spray on foam insulation with an acrylic top coat to allow both interior and exterior installation

Tank shall have SANCO2 stenciled on the Insulation coat

Insulation

A minimum of 2 1/4" of R16 insulation shall be sprayed on to the tank to reduce heat loss and comply with California Title 24 requirements

Connections

Connections to the Hot and Cold building supplies shall be 3" NPT Female type

Connection to Cold supply from the tank to the Heat Pump shall be 1 1/2" NPT male type

A Tank drain connection shall be connected to the Cold Water piping to the GS5 manifold

Connection to Hot return from the Heat Pump to the tank shall be 1 1/2" NPT female type

Controls

The tank shall be supplied with Temperature sensor wells located at the top, midpoint and bottom of the Tank to allow field installation of Tank Temperature sensors to match the commercial application water draw

Each Heat Pump connected to the Storage Tank shall require a 91101-45190 temperature sensor to be field installed in the Sensor well and wired directly to the GS5 Heat Pumps

If the ECO-CMB-BAC Multi Unit Controller shall be applied, it is supplied with a both a T1, T2 and T3 Tank Temperature sensors to allow the start and stop of the GS5 Heat Pump operation

All sensors shall be field installed with the ECO-360GLNSM Tank

Pressure and Temperature Relief

Tank shall be supplied with a field installed, ASME approved Pressure relief valve

Valve Setting shall be at 125 Psig

Relief Valve shall be piped to a suitable location in case of discharge

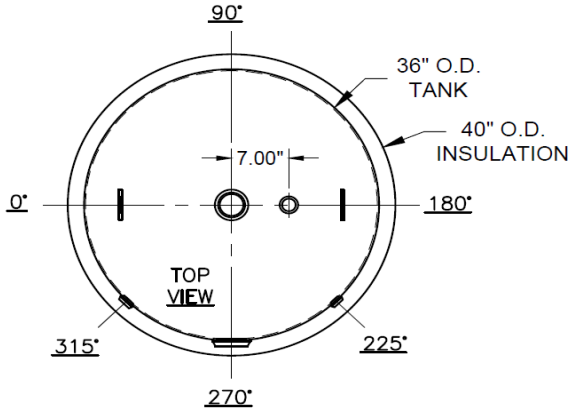


SUBMITTAL : ECO-360GLNSM 360 Gallon Storage Tank



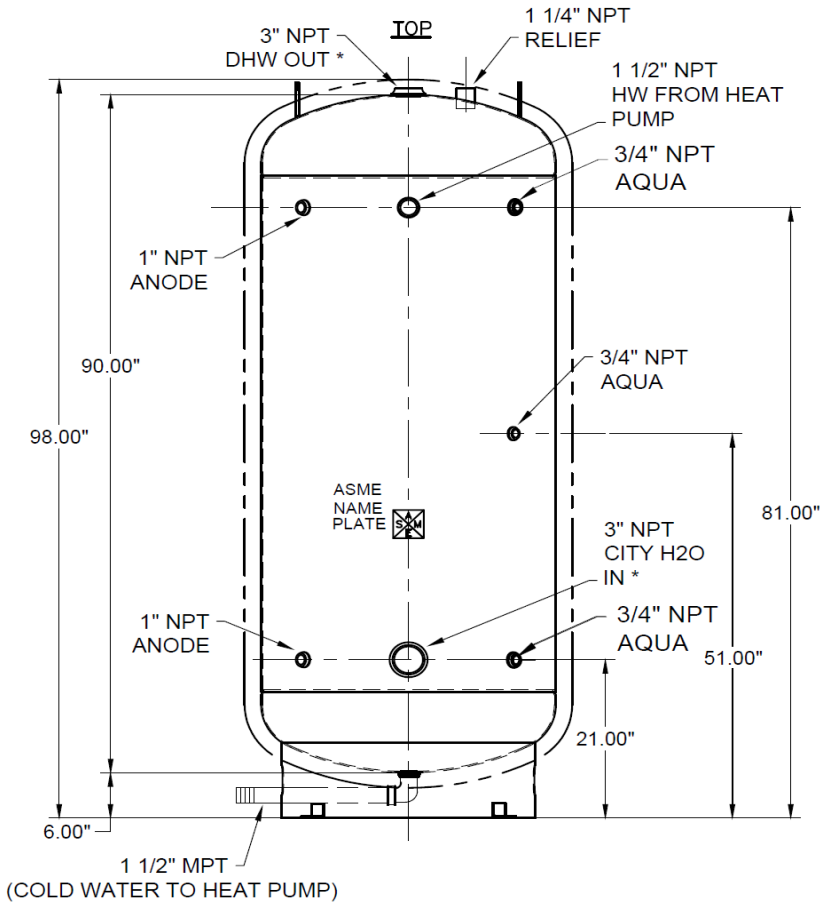
Job Name	Location		
Purchaser	Engineer		
Submitted to	Reference <input type="checkbox"/>	Approval <input type="checkbox"/>	Construction <input type="checkbox"/>
Unit Designation	Schedule #		

Storage Tank Dimensions



CONSTRUCTION:

- MATERIAL - CARBON STEEL
- INTERIOR LINING - PORCELAIN ENAMEL
- EXTERIOR - PRIME PAINTED W/ 2" THK INSULATION & ACRYLIC TOP COAT
- SACRIFICIAL ANODES - MAGNESIUM
- M.A.W.P. - 125 PSI
- MAX. OPERATING TEMP. - 180°F



* INCLUDES:
DEFLECTOR - SPARGE A TRON
QTY (1) PER TANK