



# SUBMITTAL : ECO-1000GLNSM 1,000 Gallon Storage Tank



Job Name	Location
Purchaser	Engineer
Submitted to	Reference <input type="checkbox"/> Approval <input type="checkbox"/> Construction <input type="checkbox"/>
Unit Designation	Schedule #

<b>Specifications</b>	<b>GS5-45HPC &amp;-D</b>
	<b>GS5-45HPC &amp;-D</b>
<b>Performance</b>	
Capacity per Heat Pump	4.5kw or 15,400 Btu/h
Recovery per HP @ 90°F Rise	20.5 Gallons per Hour
<b>Storage Tank</b>	<b>ECO-1000GLNSM</b>
Tank Volume Actual/Nominal	1,000 / 1,119 Gallons
Pressure Relief Valve (Psig & °F)	125 Psig
Temperature Sensor	Thermistor(s)
Empty Tank Weight (lbs)	2,800 lbs
Shipping Tank Weight (lbs)	3,500 lbs
Anodes	3 x Magnesium
Tank Insulation Depth	2 1/4" to 2 1/2" Thick
Tank Insulation R value	R16

<b>Tank Connection Sizes</b>	
Cold Water Inlet	3" NPT
Hot Water Outlet	3" NPT
Cold Water to Heat Pump	1 1/2" NPT
Hot Water Return from HP	1 1/2" NPT
<b>Pipe Size - Tank to Heat Pump</b>	
Cold Water pipe - Tank to HP	As designed
Hot Water pipe - HP to Tank	As designed
Max Pipe Length inc	66ft
Max Vertical Separation of	23ft
<b>Approvals</b>	
Tank	ASME
<b>Warranty</b>	
Tank	5 Years

### Construction

The tank shall be manufactured from carbon steel with a baked on Ultonium porcelain enamel lining  
Tank outer shell shall be covered with a spray on foam insulation with an acrylic top coat to allow both interior and exterior installation

Tank shall have SANCO2 stenciled on the Insulation coat

### Insulation

A minimum of 2 1/4" of R16 insulation shall be sprayed on to the tank to reduce heat loss and comply with California Title 24 requirements

### Connections

Connections to the Hot and Cold building supplies shall be 3" NPT Female type

Connection to Cold supply from the tank to the Heat Pump shall be 1 1/2" NPT male type

A Tank drain connection shall be connected to the Cold Water piping to the GS5 manifold

Connection to Hot return from the Heat Pump to the tank shall be 1 1/2" NPT female type

### Controls

The tank shall be supplied with Temperature sensor wells located at the top, midpoint and bottom of the Tank to allow field installation of Tank Temperature sensors to match the commercial application water draw

Each Heat Pump connected to the Storage Tank shall require a 91101-45190 temperature sensor to be field installed in the Sensor well and wired directly to the GS5 Heat Pumps

If the ECO-CMB-BAC Multi Unit Controller shall be applied, it is supplied with T1, T2 and T3 Tank Temperature sensors to allow the start and stop of the GS5 Heat Pump operation

All sensors shall be field installed into the ECO-1000GLNSM Tank thermowells

### Pressure and Temperature Relief

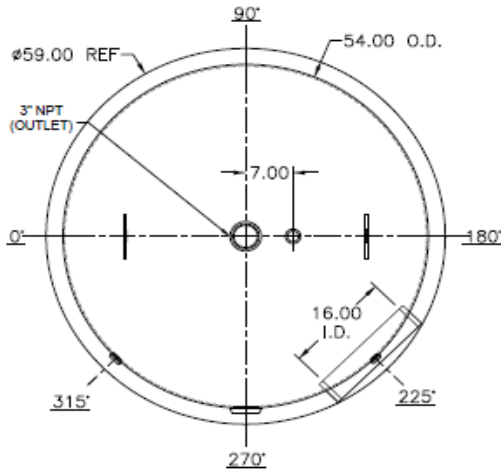
Tank requires a field supplied and field installed, ASME approved Pressure relief valve to the 1 1/4" Relief connection on the Tank. Valve Setting shall be at 125 Psig Relief Valve shall be piped to a suitable location in case of discharge



# SUBMITTAL : ECO-1000GLNSM 1000 Gallon Storage Tank

Job Name	Location		
Purchaser	Engineer		
Submitted to	Reference <input type="checkbox"/>	Approval <input type="checkbox"/>	Construction <input type="checkbox"/>
Unit Designation	Schedule #		

## Storage Tank Dimensions



**CONSTRUCTION:**  
 MATERIAL - CARBON STEEL  
 INTERIOR LINING - GLASS LINED  
 EXTERIOR - R-16 INSULATION & ACRYLIC TOPCOAT  
 M.A.W.P. 125 PSI  
 MAX. OPERATING TEMP. 180°F  
 VOLUME- 1000 GALLON

